

# 512 Kbit / 1 Mbit / 2 Mbit / 4 Mbit (x8) Many-Time Programmable Flash

SST37VF512 / SST37VF010 / SST37VF020 / SST37VF040



Data Sheet

## FEATURES:

- **Organized as 64K x8 / 128K x8 / 256K x8 / 512K x8**
- **2.7-3.6V Read Operation**
- **Superior Reliability**
  - Endurance: At least 1000 Cycles
  - Greater than 100 years Data Retention
- **Low Power Consumption:**
  - Active Current: 10 mA (typical)
  - Standby Current: 2  $\mu$ A (typical)
- **Fast Read Access Time:**
  - 70 ns
  - 90 ns
- **Latched Address and Data**
- **Fast Byte-Program Operation:**
  - Byte-Program Time: 10  $\mu$ s (typical)
  - Chip Program Time:
    - 0.6 seconds (typical) for SST37VF512
    - 1.2 seconds (typical) for SST37VF010
    - 2.4 seconds (typical) for SST37VF020
    - 4.8 seconds (typical) for SST37VF040
- **Electrical Erase Using Programmer**
  - Does not require UV source
  - Chip-Erase Time: 100 ms (typical)
- **CMOS I/O Compatibility**
- **JEDEC Standard Byte-wide Flash EEPROM Pinouts**
- **Packages Available**
  - 32-lead PLCC
  - 32-lead TSOP (8mm x 14mm)
  - 32-pin PDIP

## PRODUCT DESCRIPTION

The SST37VF512/010/020/040 devices are 64K x8 / 128K x8 / 256K x8 / 512K x8 CMOS, Many-Time Programmable (MTP), low cost flash, manufactured with SST's proprietary, high performance CMOS SuperFlash technology. The split-gate cell design and thick-oxide tunneling injector attain better reliability and manufacturability compared with alternate approaches. The SST37VF512/010/020/040 can be electrically erased and programmed at least 1000 times using an external programmer, e.g., to change the contents of devices in inventory. The SST37VF512/010/020/040 have to be erased prior to programming. These devices conform to JEDEC standard pinouts for byte-wide flash memories.

Featuring high performance Byte-Program, the SST37VF512/010/020/040 provide a typical Byte-Program time of 10  $\mu$ s. Designed, manufactured, and tested for a wide spectrum of applications, these devices are offered with an endurance of at least 1000 cycles. Data retention is rated at greater than 100 years.

The SST37VF512/010/020/040 are suited for applications that require infrequent writes and low power nonvolatile storage. These devices will improve flexibility, efficiency, and performance while matching the low cost in nonvolatile applications that currently use UV-EPROMs, OTPs, and mask ROMs.

To meet surface mount and conventional through hole requirements, the SST37VF512/010/020/040 are offered in 32-lead PLCC, 32-lead TSOP, and 32-pin PDIP packages. See Figures 1, 2, and 3 for pin assignments.

## Device Operation

The SST37VF512/010/020/040 devices are nonvolatile memory solutions that can be used instead of standard flash devices if in-system programmability is not required. It is functionally (Read) and pin compatible with industry standard flash products. The device supports electrical Erase operation via an external programmer.

## Read

The Read operation of the SST37VF512/010/020/040 is controlled by CE# and OE#. Both CE# and OE# have to be low for the system to obtain data from the outputs. Once the address is stable, the address access time is equal to the delay from CE# to output ( $T_{CE}$ ). Data is available at the output after a delay of TOE from the falling edge of OE#, assuming the CE# pin has been low and the addresses have been stable for at least  $T_{CE}-T_{OE}$ . When the CE# pin is high, the chip is deselected and a standby current of only 10  $\mu$ A (typical) is consumed. OE# is the output control and is used to gate data from the output pins. The data bus is in high impedance state when either CE# or OE# is  $V_{IH}$ . Refer to Figure 4 for the timing diagram.



# 512 Kbit / 1 Mbit / 2 Mbit / 4 Mbit Many-Time Programmable Flash SST37VF512 / SST37VF010 / SST37VF020 / SST37VF040

Data Sheet

## Byte-Program Operation

The SST37VF512/010/020/040 are programmed by using an external programmer. The programming mode is activated by asserting 11.4-12.6V on OE# pin and V<sub>IL</sub> on CE# pin. The device is programmed using a single pulse (WE# pin low) of 10 μs per byte. Using the MTP programming algorithm, the Byte-Program process continues byte-by-byte until the entire chip has been programmed. Refer to Figure 10 for the flowchart and Figure 6 for the timing diagram.

## Chip-Erase Operation

The only way to change a data from a “0” to “1” is by electrical erase that changes every bit in the device to “1”. The SST37VF512/010/020/040 use an electrical Chip-Erase operation. The entire chip can be erased in 100 ms (WE# pin low). In order to activate erase mode, the 11.4-12.6V is applied to OE# and A<sub>9</sub> pins while CE# is low. All other address and data pins are “don’t care”. The falling edge of WE# will start the Chip-Erase operation. Once the chip has been erased, all bytes must be verified for FFH. Refer to Figure 9 for the flowchart and Figure 5 for the timing diagram.

## Product Identification Mode

The Product Identification mode identifies the devices as SST37VF512, SST37VF010, SST37VF020, and SST37VF040 and manufacturer as SST. This mode may be accessed by the hardware method. To activate this mode, the programming equipment must force V<sub>H</sub> (11.4-12.6V) on address A<sub>9</sub>. Two identifier bytes may then be sequenced from the device outputs by toggling address line A<sub>0</sub>. For details, see Table 3 for hardware operation.

**TABLE 1: PRODUCT IDENTIFICATION**

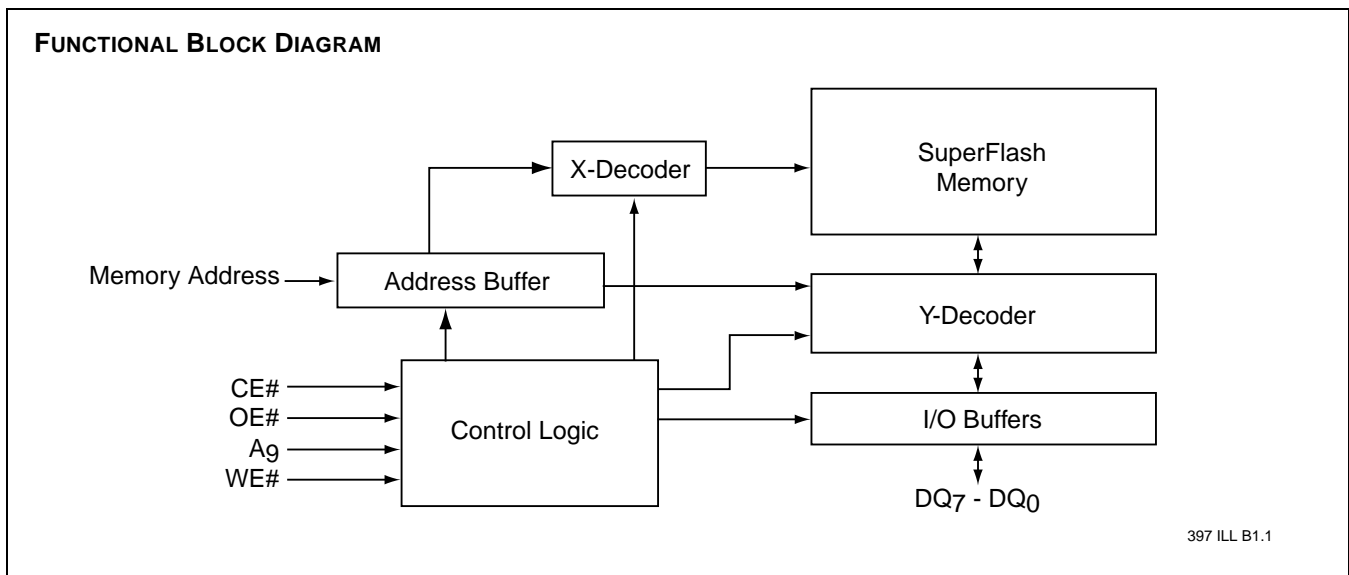
	Address	Data
Manufacturer's ID	0000H	BFH
Device ID		
SST37VF512	0001H	C4H
SST37VF010	0001H	C5H
SST37VF020	0001H	C6H
SST37VF040	0001H	C2H

T1.2 397

## Design Considerations

The SST37VF512/010/020/040 should have a 0.1 μF ceramic high frequency, low inductance capacitor connected between V<sub>DD</sub> and GND. This capacitor should be placed as close to the package terminals as possible.

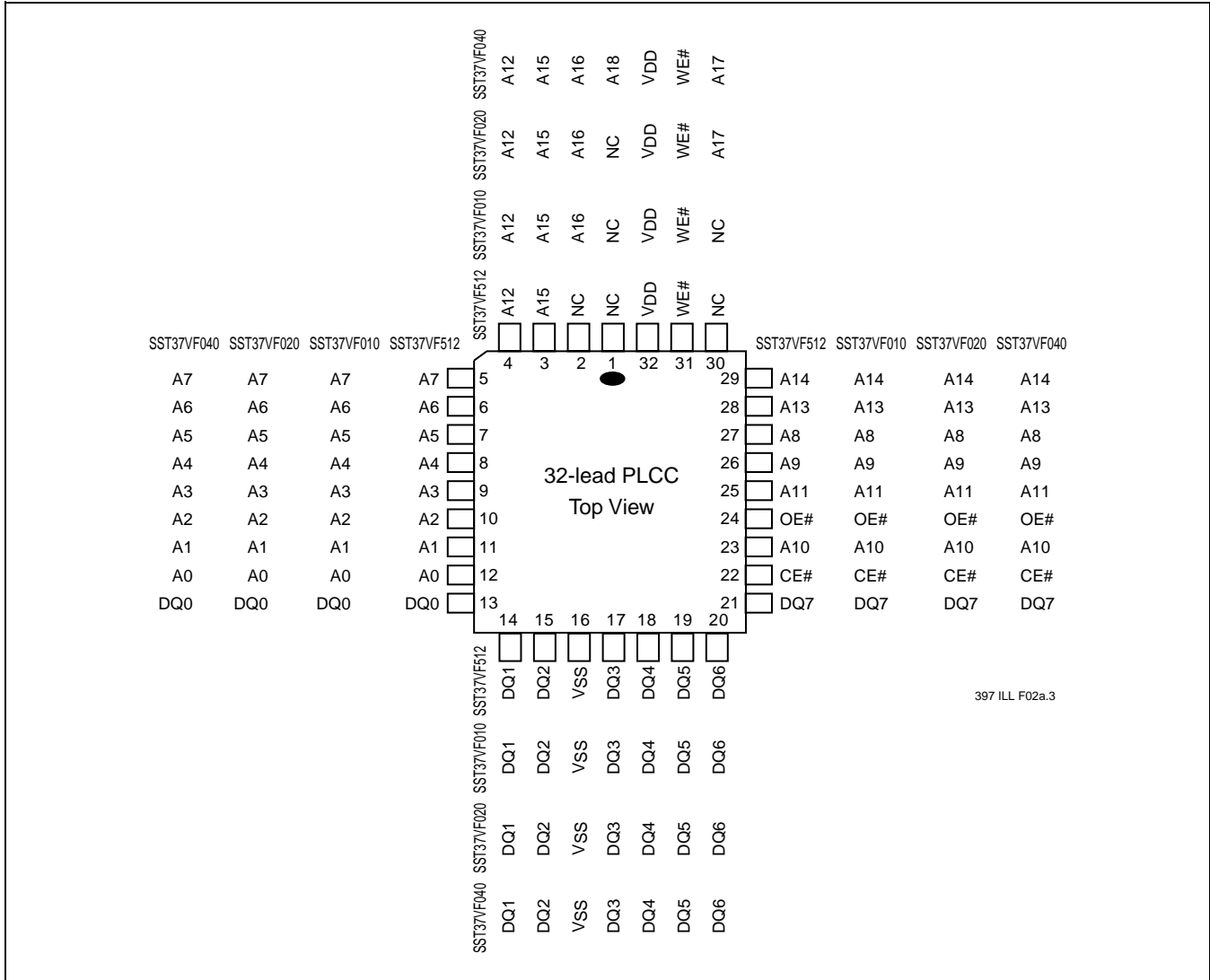
OE# and A<sub>9</sub> must remain stable at V<sub>H</sub> for the entire duration of an Erase operation. OE# must remain stable at V<sub>H</sub> for the entire duration of the Program operation.



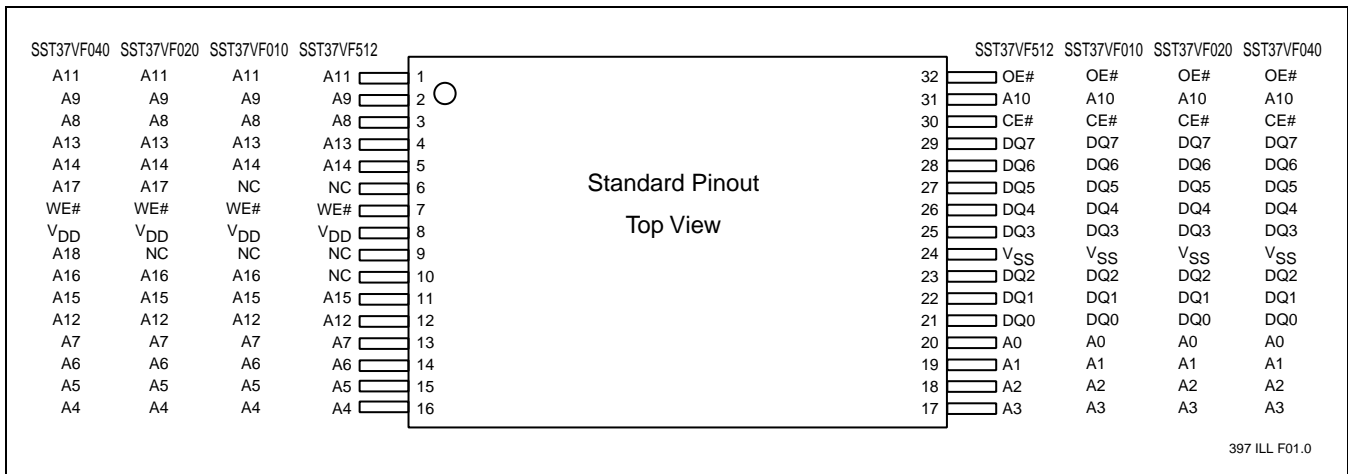
# 512 Kbit / 1 Mbit / 2 Mbit / 4 Mbit Many-Time Programmable Flash SST37VF512 / SST37VF010 / SST37VF020 / SST37VF040



Data Sheet



**FIGURE 1: PIN ASSIGNMENTS FOR 32-LEAD PLCC**



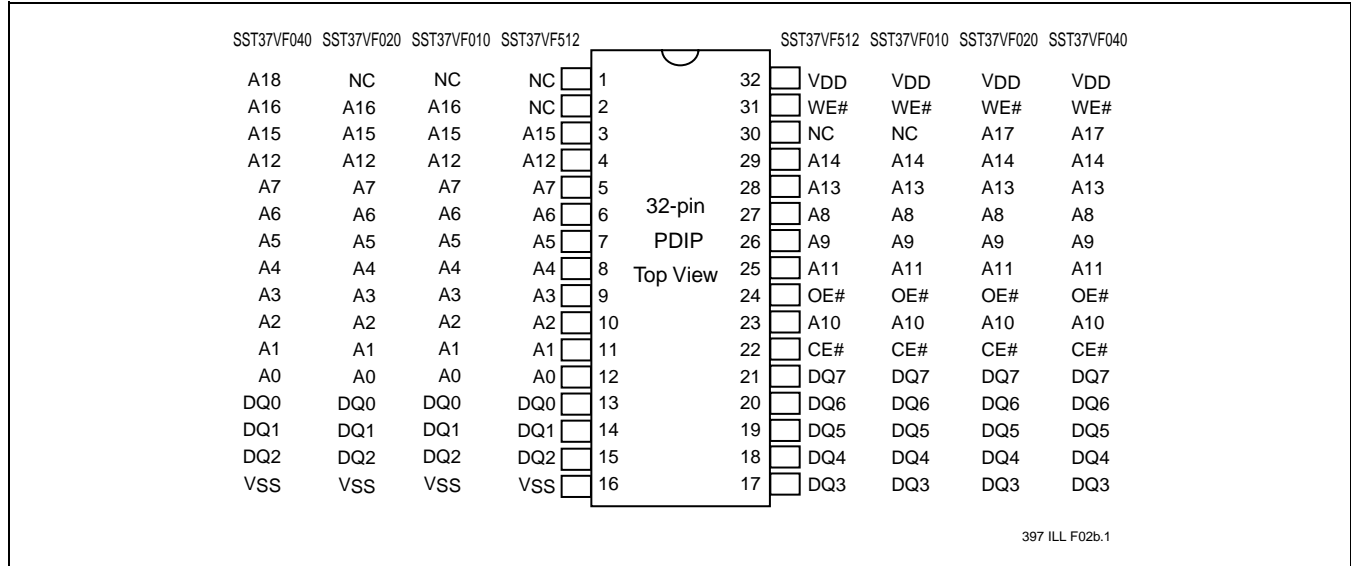
**FIGURE 2: PIN ASSIGNMENTS FOR 32-LEAD TSOP (8MM X 14MM)**



# 512 Kbit / 1 Mbit / 2 Mbit / 4 Mbit Many-Time Programmable Flash

## SST37VF512 / SST37VF010 / SST37VF020 / SST37VF040

Data Sheet



**FIGURE 3: PIN ASSIGNMENTS FOR 32-PIN PDIP**

**TABLE 2: PIN DESCRIPTION**

Symbol	Pin Name	Functions
$A_{MS}^1-A_0$	Address Inputs	To provide memory addresses.
DQ <sub>7</sub> -DQ <sub>0</sub>	Data Input/output	To output data during Read cycles and receive input data during Program cycles. The outputs are in tri-state when OE# or CE# is high.
CE#	Chip Enable	To activate the device when CE# is low.
WE#	Write Enable	To program or erase (WE# = V <sub>IL</sub> pulse during Program or Erase)
OE#	Output Enable	To gate the data output buffers during Read operation when low
V <sub>DD</sub>	Power Supply	To provide 3.0V supply (2.7-3.6V)
V <sub>SS</sub>	Ground	
NC	No Connection	Unconnected pins.

1.  $A_{MS}$  = Most significant address  
 $A_{MS}$  = A<sub>15</sub> for SST37VF512, A<sub>16</sub> for SST37VF010, A<sub>17</sub> for SST37VF020, and A<sub>18</sub> for SST37VF040

T2.1 397



**512 Kbit / 1 Mbit / 2 Mbit / 4 Mbit Many-Time Programmable Flash**  
**SST37VF512 / SST37VF010 / SST37VF020 / SST37VF040**

Data Sheet

**TABLE 3: OPERATION MODES SELECTION**

Mode	CE#	WE#	A <sub>9</sub>	OE#	DQ	Address
Read	V <sub>IL</sub>	V <sub>IH</sub>	A <sub>IN</sub>	V <sub>IL</sub>	D <sub>OUT</sub>	A <sub>IN</sub>
Output Disable	V <sub>IL</sub>	X	X	V <sub>IH</sub>	High Z	A <sub>IN</sub>
Standby	V <sub>IH</sub>	X	X	X	High Z	X
Chip-Erase	V <sub>IL</sub>	V <sub>IL</sub>	V <sub>H</sub>	V <sub>H</sub>	High Z	X
Byte-Program	V <sub>IL</sub>	V <sub>IL</sub>	A <sub>IN</sub>	V <sub>H</sub>	D <sub>IN</sub>	A <sub>IN</sub>
Program/Erase Inhibit	X	V <sub>IH</sub>	X	X	High Z	X
	X	X	X	V <sub>IL</sub> or V <sub>IH</sub>	High Z/ D <sub>OUT</sub>	X
Product Identification	V <sub>IL</sub>	V <sub>IH</sub>	V <sub>H</sub>	V <sub>IL</sub>	Manufacturer's ID (BFH) Device ID <sup>1</sup>	A <sub>MS</sub> <sup>2</sup> - A <sub>1</sub> =V <sub>IL</sub> , A <sub>0</sub> =V <sub>IL</sub> A <sub>MS</sub> <sup>2</sup> - A <sub>1</sub> =V <sub>IL</sub> , A <sub>0</sub> =V <sub>IH</sub>

T3.2 397

1. Device ID = C4H for SST37VF512, C5H for SST37VF020, C6H for SST37VF020, and C2H for SST37VF040

2. A<sub>MS</sub> = Most significant address

A<sub>MS</sub> = A<sub>15</sub> for SST37VF512, A<sub>16</sub> for SST37VF010, A<sub>17</sub> for SST37VF020, and A<sub>18</sub> for SST37VF040

**Note:** X = V<sub>IL</sub> or V<sub>IH</sub> (or V<sub>H</sub> in case of OE# and A<sub>9</sub>)

V<sub>H</sub> = 11.4-12.6V

**Absolute Maximum Stress Ratings** (Applied conditions greater than those listed under “Absolute Maximum Stress Ratings” may cause permanent damage to the device. This is a stress rating only and functional operation of the device at these conditions or conditions greater than those defined in the operational sections of this data sheet is not implied. Exposure to absolute maximum stress rating conditions may affect device reliability.)

Temperature Under Bias	-55°C to +125°C
Storage Temperature	-65°C to +150°C
D. C. Voltage on Any Pin to Ground Potential	-0.5V to V <sub>DD</sub> +0.5V
Transient Voltage (<20 ns) on Any Pin to Ground Potential	-2.0V to V <sub>DD</sub> +2.0V
Voltage on A <sub>9</sub> Pin to Ground Potential	-0.5V to 13.2V
Package Power Dissipation Capability (Ta = 25°C)	1.0W
Through Hold Lead Soldering Temperature (10 Seconds)	300°C
Surface Mount Lead Soldering Temperature (3 Seconds)	240°C
Output Short Circuit Current <sup>1</sup>	50 mA

1. Outputs shorted for no more than one second. No more than one output shorted at a time.

**OPERATING RANGE**

Range	Ambient Temp	V <sub>DD</sub>
Commercial	0°C to +70°C	2.7-3.6V

**AC CONDITIONS OF TEST**

Input Rise/Fall Time	5 ns
Output Load	C <sub>L</sub> = 100 pF
See Figures 7 and 8	



# 512 Kbit / 1 Mbit / 2 Mbit / 4 Mbit Many-Time Programmable Flash

## SST37VF512 / SST37VF010 / SST37VF020 / SST37VF040

Data Sheet

**TABLE 4: READ MODE DC OPERATING CHARACTERISTICS  $V_{DD}=2.7-3.6V$  ( $T_a = 0^\circ C$  to  $+70^\circ C$  (Commercial))**

Symbol	Parameter	Limits			Test Conditions
		Min	Max	Units	
$I_{DD}$	$V_{DD}$ Read Current		12	mA	Address input= $V_{ILT}/V_{IHT}$ , at $f=1/T_{RC}$ Min $V_{DD}=V_{DD}$ Max $CE\#=V_{IL}$ , $OE\#=V_{IHT}$ , all I/Os open
$I_{SB}$	Standby $V_{DD}$ Current		15	$\mu A$	$CE\#=V_{IHC}$ , $V_{DD}=V_{DD}$ Max
$I_{LI}$	Input Leakage Current		1	$\mu A$	$V_{IN}=GND$ to $V_{DD}$ , $V_{DD}=V_{DD}$ Max
$I_{LO}$	Output Leakage Current		10	$\mu A$	$V_{OUT}=GND$ to $V_{DD}$ , $V_{DD}=V_{DD}$ Max
$V_{IL}$	Input Low Voltage		0.8	V	$V_{DD}=V_{DD}$ Min
$V_{IH}$	Input High Voltage	$0.7 V_{DD}$		V	$V_{DD}=V_{DD}$ Max
$V_{IHC}$	Input High Voltage (CMOS)	$V_{DD}-0.3$		V	$V_{DD}=V_{DD}$ Max
$V_{OL}$	Output Low Voltage		0.2	V	$I_{OL}=100 \mu A$ , $V_{DD}=V_{DD}$ Min
$V_{OH}$	Output High Voltage	$V_{DD}-0.3$		V	$I_{OH}=-100 \mu A$ , $V_{DD}=V_{DD}$ Min
$I_H$	Supervoltage Current for $A_9$		200	$\mu A$	$CE\#=OE\#=V_{IL}$ , $A_9=V_H$ Max

T4.6 397

**TABLE 5: PROGRAM/ERASE DC OPERATING CHARACTERISTICS  $V_{DD}=2.7-3.6V$  ( $T_a = 25^\circ C \pm 5^\circ C$ )**

Symbol	Parameter	Limits			Test Conditions
		Min	Max	Units	
$I_{DD}$	$V_{DD}$ Erase or Program Current		20	mA	$CE\#=V_{IL}$ , $OE\#=V_H$ , $V_{DD}=V_{DD}$ Max, $WE\#=V_{IL}$
$I_{LI}$	Input Leakage Current		1	$\mu A$	$V_{IN}=GND$ to $V_{DD}$ , $V_{DD}=V_{DD}$ Max
$I_{LO}$	Output Leakage Current		10	$\mu A$	$V_{OUT}=GND$ to $V_{DD}$ , $V_{DD}=V_{DD}$ Max
$V_H$	Supervoltage for $A_9$ and $OE\#$	11.4	12.6	V	$OE\#=V_H$ Max, $A_9=V_H$ Max, $V_{DD}=V_{DD}$ Max, $CE\#=V_{IL}$
$I_H$	Supervoltage Current for $A_9$ and $OE\#$		200	$\mu A$	

T5.1 397

**TABLE 6: RECOMMENDED SYSTEM POWER-UP TIMINGS**

Symbol	Parameter	Minimum	Units
$T_{PU-READ}^1$	Power-up to Read Operation	100	$\mu s$
$T_{PU-WRITE}^1$	Power-up to Write Operation	100	$\mu s$

T6.1 397

1. This parameter is measured only for initial qualification and after a design or process change that could affect this parameter.

**TABLE 7: CAPACITANCE ( $T_a = 25^\circ C$ ,  $f=1$  Mhz, other pins open)**

Parameter	Description	Test Condition	Maximum
$C_{I/O}^1$	I/O Pin Capacitance	$V_{I/O} = 0V$	12 pF
$C_{IN}^1$	Input Capacitance	$V_{IN} = 0V$	6 pF

T7.0 397

1. This parameter is measured only for initial qualification and after a design or process change that could affect this parameter.

**TABLE 8: RELIABILITY CHARACTERISTICS**

Symbol	Parameter	Minimum Specification	Units	Test Method
$N_{END}^1$	Endurance	10,000	Cycles	JEDEC Standard A117
$T_{DR}^1$	Data Retention	100	Years	JEDEC Standard A103
$I_{LTH}^1$	Latch Up	$100 + I_{DD}$	mA	JEDEC Standard 78

T8.3 397

1. This parameter is measured only for initial qualification and after a design or process change that could affect this parameter.



**AC CHARACTERISTICS**

**TABLE 9: READ CYCLE TIMING PARAMETERS  $V_{DD} = 2.7-3.6V$  ( $T_a = 0^\circ C$  to  $+70^\circ C$  (Commercial))**

Symbol	Parameter	SST37VF512-70 SST37VF010-70 SST37VF020-70 SST37VF040-70		SST37VF512-90 SST37VF010-90 SST37VF020-90 SST37VF040-90		Units
		Min	Max	Min	Max	
$T_{RC}$	Read Cycle Time	70		90		ns
$T_{CE}$	Chip Enable Access Time		70		90	ns
$T_{AA}$	Address Access Time		70		90	ns
$T_{OE}$	Output Enable Access Time		35		45	ns
$T_{CLZ}^1$	CE# Low to Active Output	0		0		ns
$T_{OLZ}^1$	OE# Low to Active Output	0		0		ns
$T_{CHZ}^1$	CE# High to High-Z Output		30		30	ns
$T_{OHZ}^1$	OE# High to High-Z Output		30		30	ns
$T_{OH}^1$	Output Hold from Address Change	0		0		ns

T9.2 397

1. This parameter is measured only for initial qualification and after a design or process change that could affect this parameter.

**TABLE 10: PROGRAM/ERASE CYCLE TIMING PARAMETERS  $V_{DD} = 2.7-3.6V$  ( $T_a = 25^\circ C \pm 5^\circ C$ )**

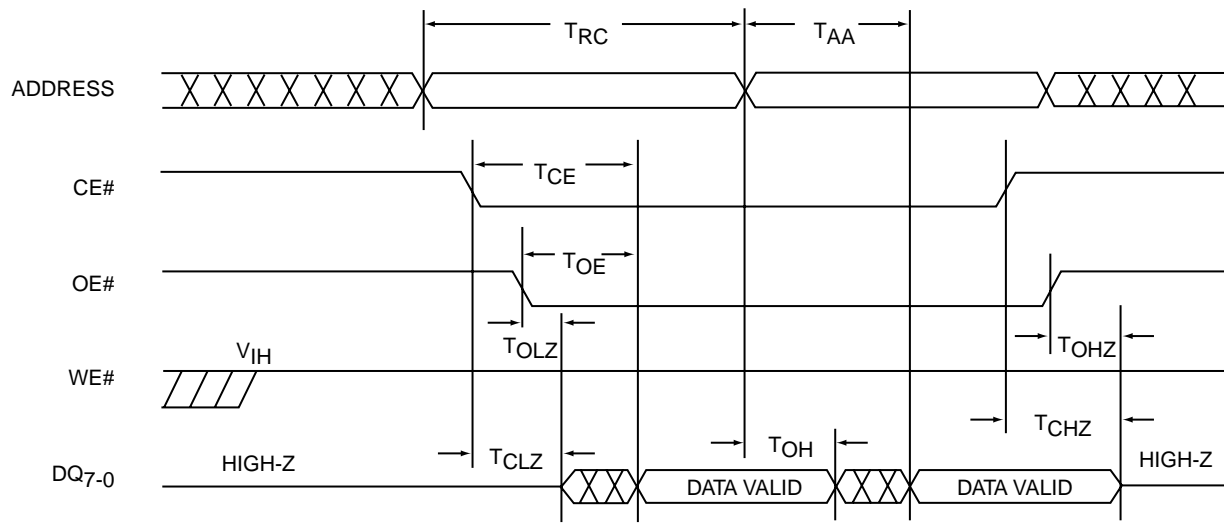
Symbol	Parameter	Min	Max	Units
$T_{BP}$	Byte-Program Time	12	20	$\mu s$
$T_{CES}$	CE# Setup Time	1		ns
$T_{CEH}$	CE# Hold Time	1		ns
$T_{AS}$	Address Setup Time	1		ns
$T_{AH}$	Address Hold Time	1		ns
$T_{DS}$	Data Setup Time	1		ns
$T_{DH}$	Data Hold Time	1		ns
$T_{PRT}$	OE# Rise Time for Program and Erase	1		ns
$T_{VPS}$	OE# Setup Time for Program and Erase	1		ns
$T_{VPH}$	OE# Hold Time for Program and Erase	1		ns
$T_{PW}$	WE# Program Pulse Width	10	15	ns
$T_{EW}$	WE# Erase Pulse Width	100	500	ns
$T_{VR}$	OE#/A <sub>9</sub> Recovery Time for Erase	1		ns
$T_{ART}$	A <sub>9</sub> Rise Time to 12V during Erase	1		ns
$T_{A9S}$	A <sub>9</sub> Setup Time during Erase	1		ms
$T_{A9H}$	A <sub>9</sub> Hold Time during Erase	1		ms

T10.0 397



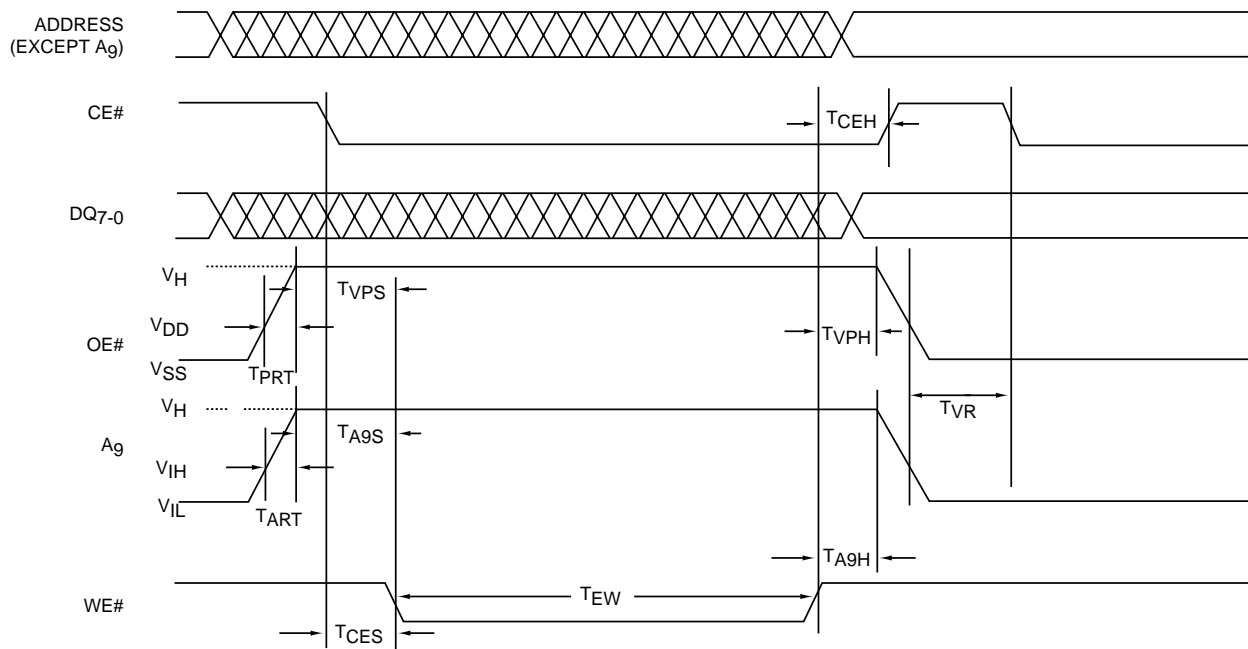
# 512 Kbit / 1 Mbit / 2 Mbit / 4 Mbit Many-Time Programmable Flash SST37VF512 / SST37VF010 / SST37VF020 / SST37VF040

Data Sheet



397 ILL F03.0

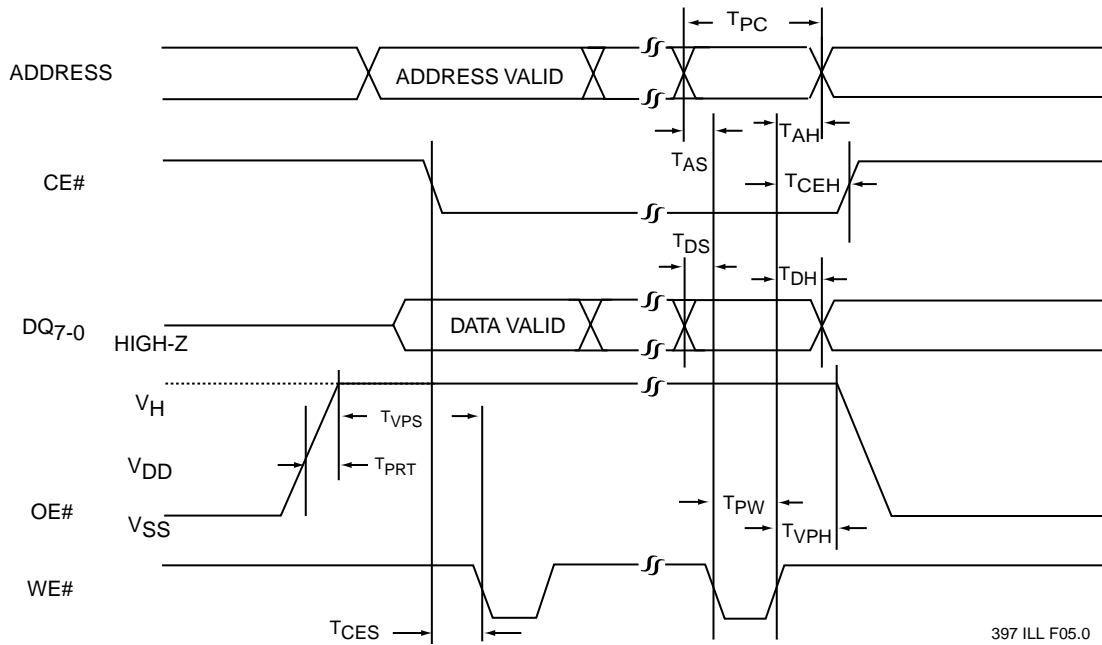
**FIGURE 4: READ CYCLE TIMING DIAGRAM**



397 ILL F04.0

**FIGURE 5: CHIP-ERASE TIMING DIAGRAM**





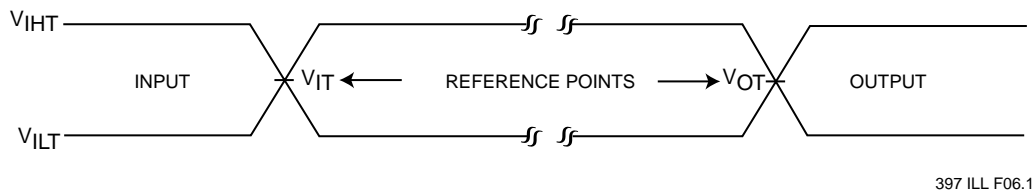
397 ILL F05.0

FIGURE 6: BYTE-PROGRAM TIMING DIAGRAM



# 512 Kbit / 1 Mbit / 2 Mbit / 4 Mbit Many-Time Programmable Flash SST37VF512 / SST37VF010 / SST37VF020 / SST37VF040

Data Sheet



AC test inputs are driven at  $V_{IHT}$  ( $0.9 V_{DD}$ ) for a logic "1" and  $V_{ILT}$  ( $0.1 V_{DD}$ ) for a logic "0". Measurement reference points for inputs and outputs are  $V_{IT}$  ( $0.5 V$ ) and  $V_{OT}$  ( $0.5 V_{DD}$ ). Input rise and fall times ( $10\% \leftrightarrow 90\%$ ) are  $<5$  ns.

**Note:**  $V_{IT}$  -  $V_{INPUT}$  Test  
 $V_{OT}$  -  $V_{OUTPUT}$  Test  
 $V_{IHT}$  -  $V_{INPUT}$  HIGH Test  
 $V_{ILT}$  -  $V_{INPUT}$  LOW Test

FIGURE 7: AC INPUT/OUTPUT REFERENCE WAVEFORMS

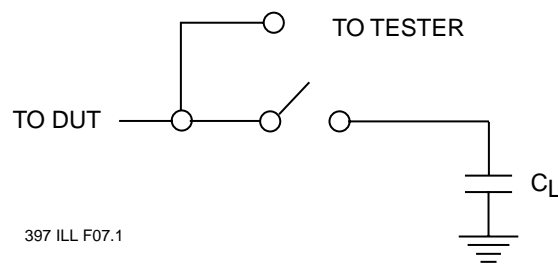
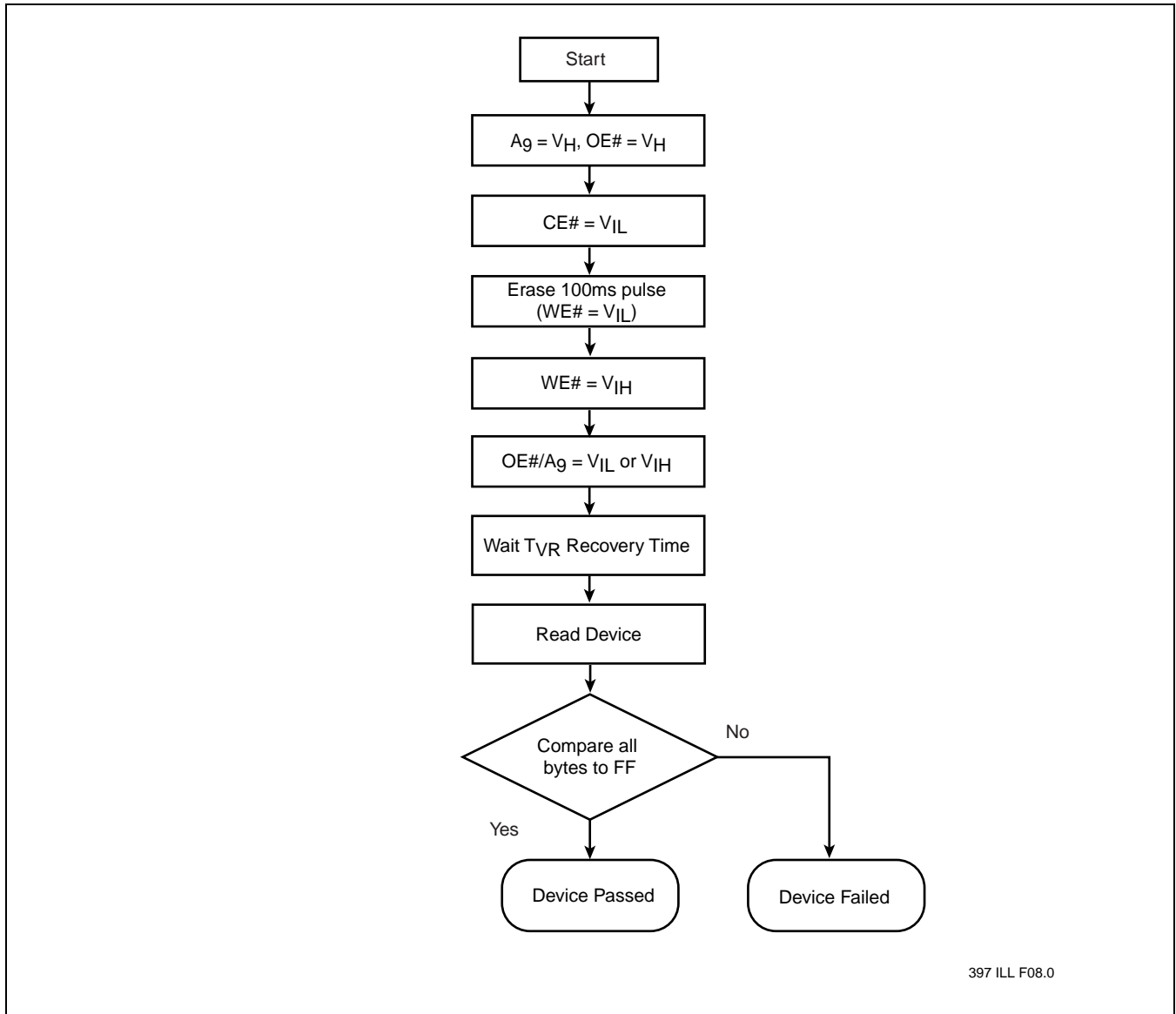


FIGURE 8: A TEST LOAD EXAMPLE



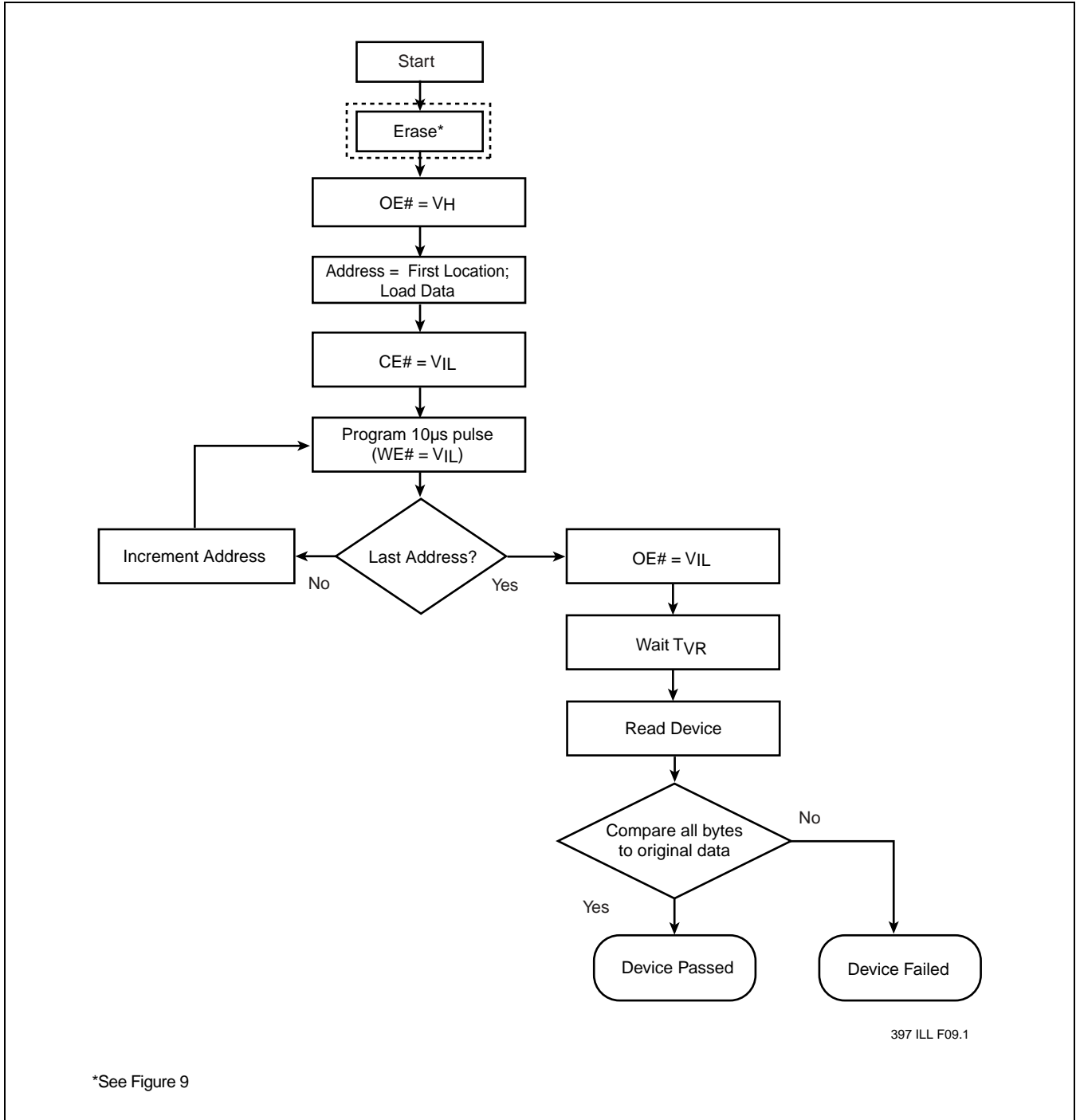
397 ILL F08.0

FIGURE 9: CHIP-ERASE ALGORITHM



512 Kbit / 1 Mbit / 2 Mbit / 4 Mbit Many-Time Programmable Flash  
SST37VF512 / SST37VF010 / SST37VF020 / SST37VF040

Data Sheet



\*See Figure 9

397 ILL F09.1

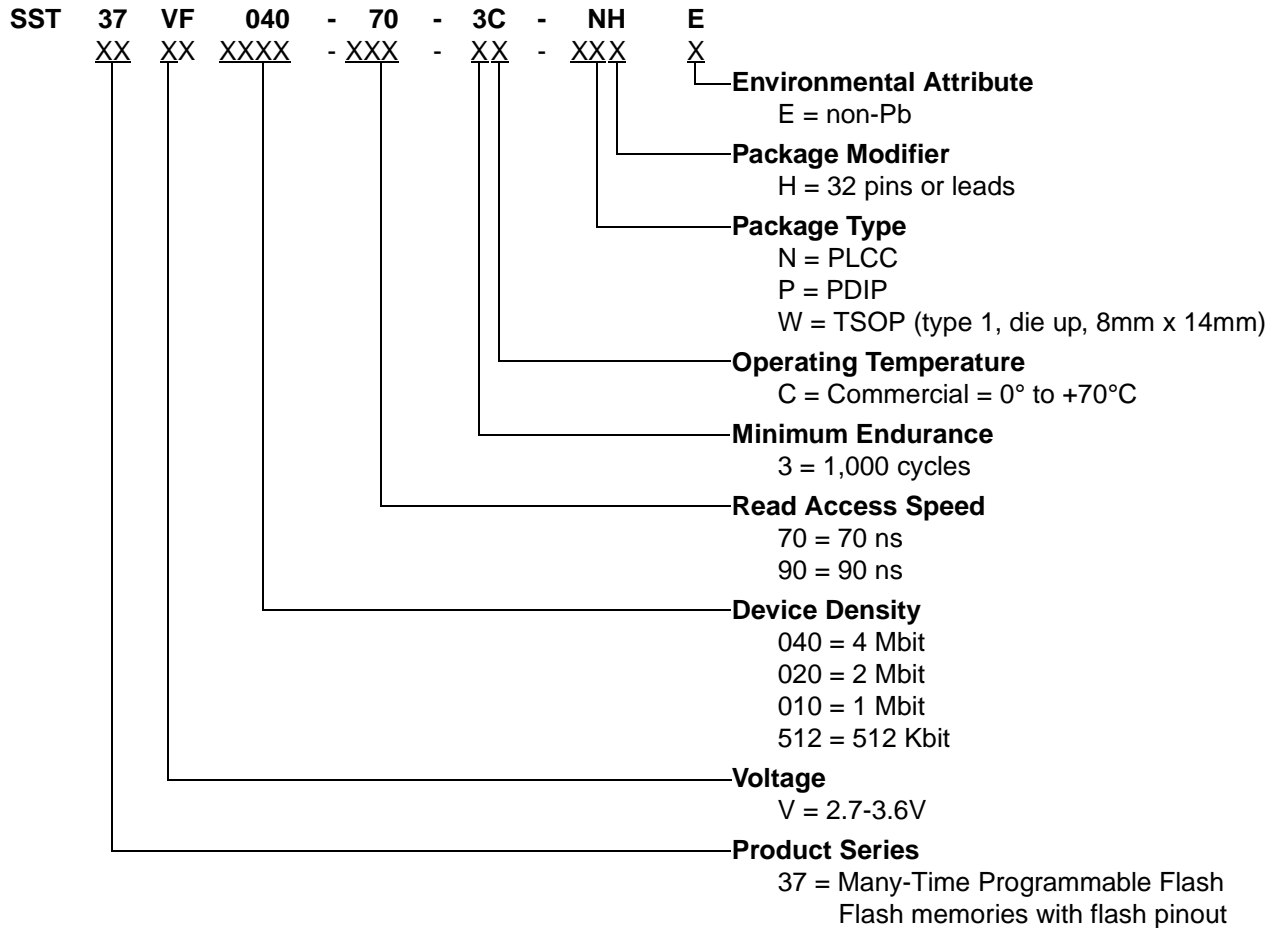
FIGURE 10: BYTE-PROGRAM ALGORITHM

**512 Kbit / 1 Mbit / 2 Mbit / 4 Mbit Many-Time Programmable Flash**  
**SST37VF512 / SST37VF010 / SST37VF020 / SST37VF040**



Data Sheet

**PRODUCT ORDERING INFORMATION**





## 512 Kbit / 1 Mbit / 2 Mbit / 4 Mbit Many-Time Programmable Flash SST37VF512 / SST37VF010 / SST37VF020 / SST37VF040

Data Sheet

### Valid combinations for SST37VF512

SST37VF512-70-3C-NH\*    SST37VF512-70-3C-WH\*  
SST37VF512-70-3C-NHE\*    SST37VF512-70-3C-WHE\*  
SST37VF512-90-3C-NH\*    SST37VF512-90-3C-WH\*    SST37VF512-90-3C-PH\*  
SST37VF512-90-3C-NHE\*    SST37VF512-90-3C-WHE\*

### Valid combinations for SST37VF010

SST37VF010-70-3C-NH    SST37VF010-70-3C-WH  
SST37VF010-70-3C-NHE    SST37VF010-70-3C-WHE  
SST37VF010-90-3C-NH†    SST37VF010-90-3C-WH†    SST37VF010-90-3C-PH  
SST37VF010-90-3C-NHE†    SST37VF010-90-3C-WHE†

### Valid combinations for SST37VF020

SST37VF020-70-3C-NH    SST37VF020-70-3C-WH  
SST37VF020-70-3C-NHE    SST37VF020-70-3C-WHE  
SST37VF020-90-3C-NH†    SST37VF020-90-3C-WH†    SST37VF020-90-3C-PH  
SST37VF020-90-3C-NHE†    SST37VF020-90-3C-WHE†

### Valid combinations for SST37VF040

SST37VF040-70-3C-NH    SST37VF040-70-3C-WH  
SST37VF040-70-3C-NHE    SST37VF040-70-3C-WHE  
SST37VF040-90-3C-NH†    SST37VF040-90-3C-WH†    SST37VF040-90-3C-PH  
SST37VF040-90-3C-NHE†    SST37VF040-90-3C-WHE†

**Note:** Valid combinations are those products in mass production or will be in mass production. Consult your SST sales representative to confirm availability of valid combinations and to determine availability of new combinations.

\* Not recommended for new designs.

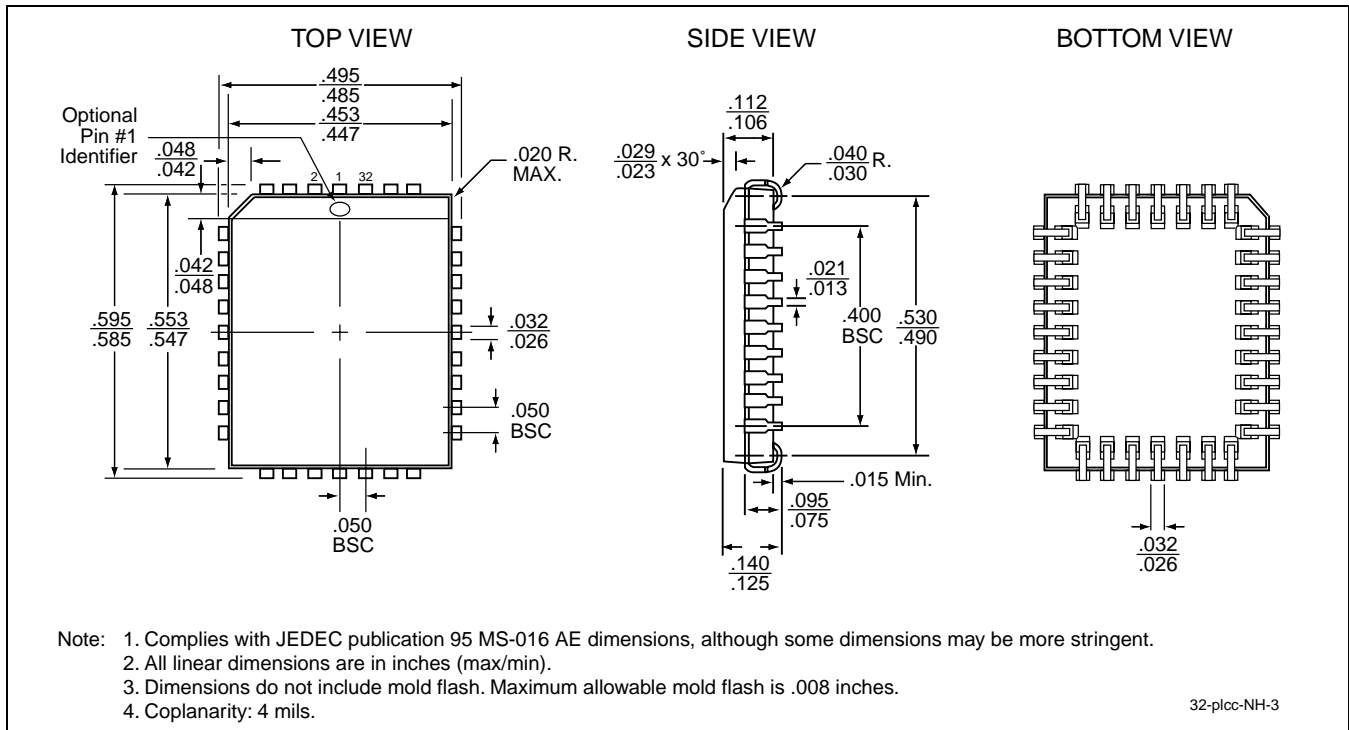
† These 90 ns parts will be phased out and replaced by 70 ns parts in 2004.  
Customers should use 70 ns parts for new designs and qualifications.

**512 Kbit / 1 Mbit / 2 Mbit / 4 Mbit Many-Time Programmable Flash**  
**SST37VF512 / SST37VF010 / SST37VF020 / SST37VF040**



Data Sheet

**PACKAGING DIAGRAMS**

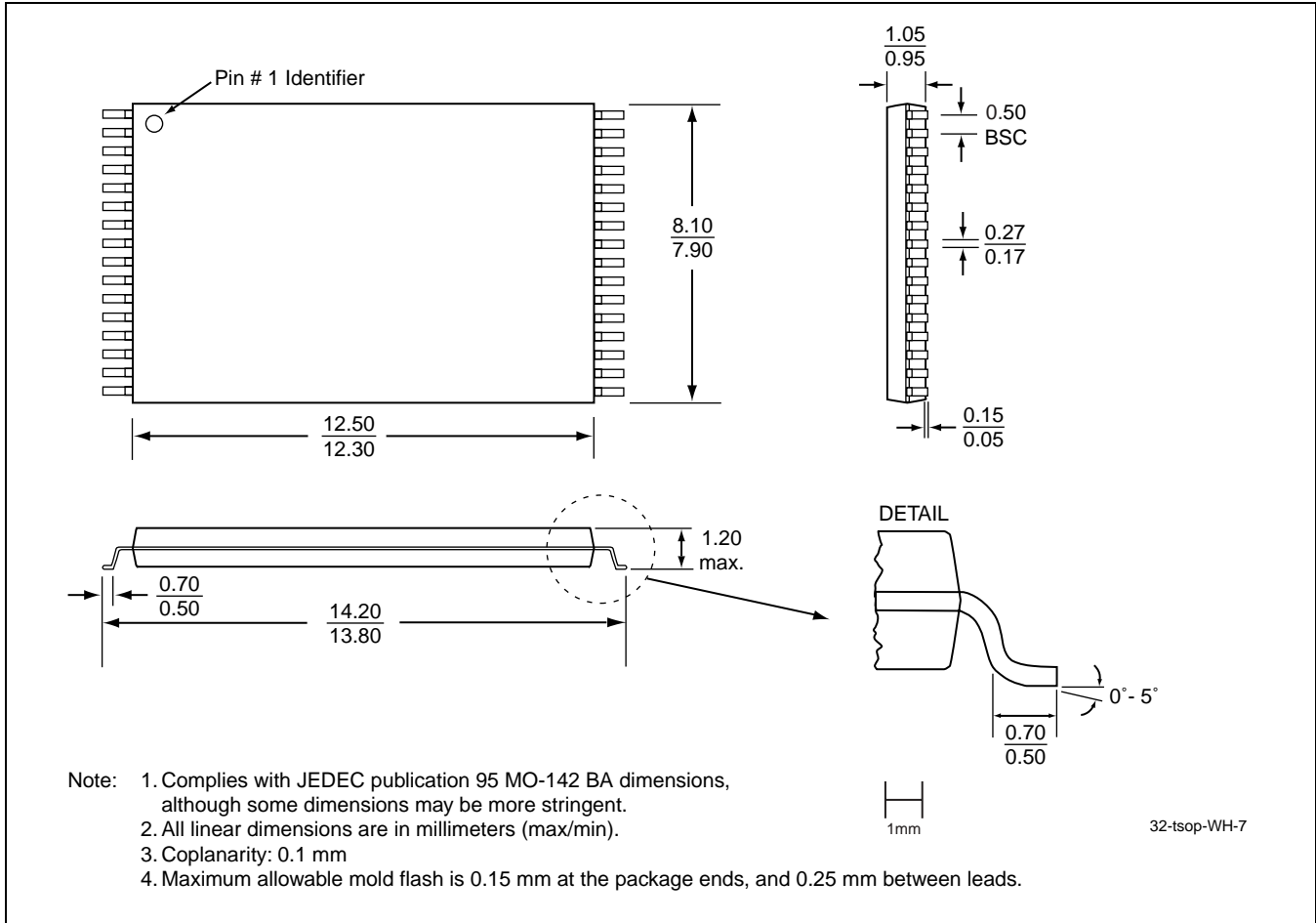


**32-LEAD PLASTIC LEAD CHIP CARRIER (PLCC)**  
**SST PACKAGE CODE: NH**



512 Kbit / 1 Mbit / 2 Mbit / 4 Mbit Many-Time Programmable Flash  
 SST37VF512 / SST37VF010 / SST37VF020 / SST37VF040

Data Sheet



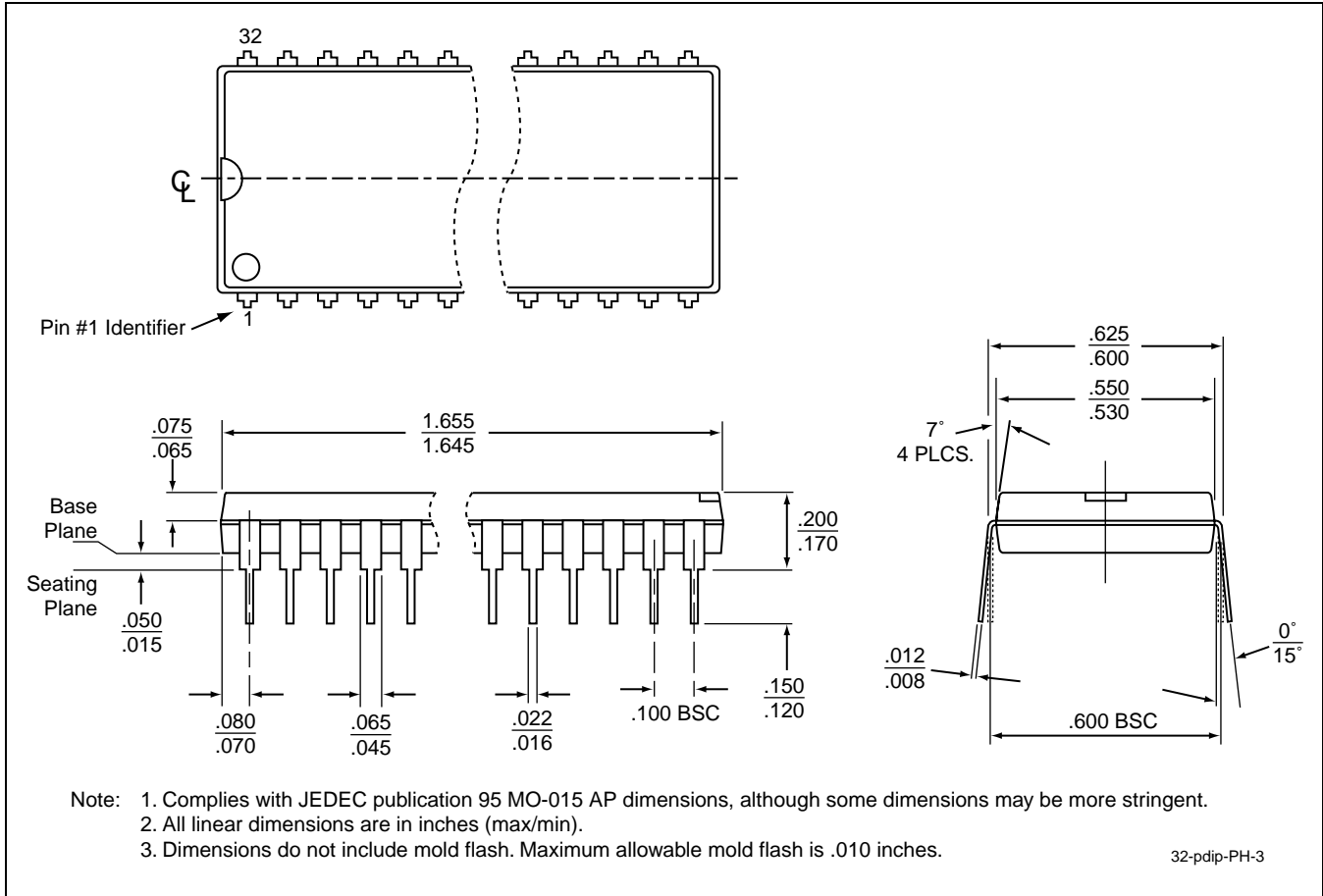
**32-LEAD THIN SMALL OUTLINE PACKAGE (TSOP) 8MM X 14MM**  
**SST PACKAGE CODE: WH**



**512 Kbit / 1 Mbit / 2 Mbit / 4 Mbit Many-Time Programmable Flash**  
**SST37VF512 / SST37VF010 / SST37VF020 / SST37VF040**



Data Sheet



**32-PIN PLASTIC DUAL IN-LINE PINS (PDIP)**  
**SST PACKAGE CODE: PH**

**TABLE 11: REVISION HISTORY**

Number	Description	Date
02	• 2002 Data Book	Feb 2002
03	• Part number changes - see page 14 for additional information • Clarified the Test Conditions for $V_{DD}$ Read Current parameter in Table 4 on page 6 – Address input = $V_{ILT}/V_{IHT}$ – $CE\# = OE\# = V_{ILT}$	Mar 2003
04	• 2004 Data Book • Added non-Pb MPNs and removed footnote (See page 14)	Nov 2003